

Die Cut Catalog

This catalog is a reference of the some of the many die shapes available.

The images are scaled to actual size.

Printing out the page may help you to see the size of the die cut item.

Please make sure to check your printer settings and make sure the options are turned off and are printing the actual size.

We can do any shape and sizes. If what you need it not listed here, please let us know.



CR80

(Credit card size)

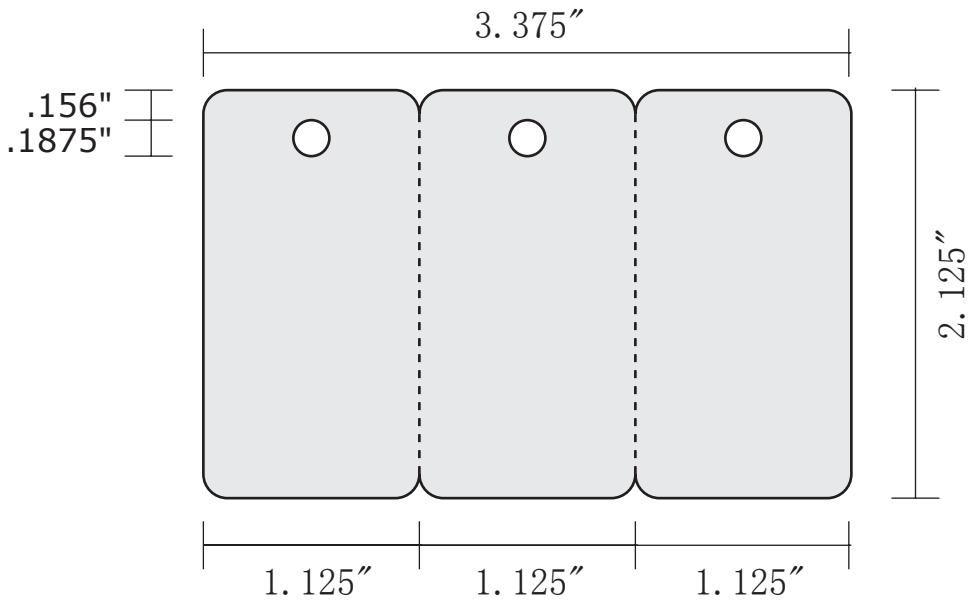


3.375" x 2.125" card size
.125" round corner.

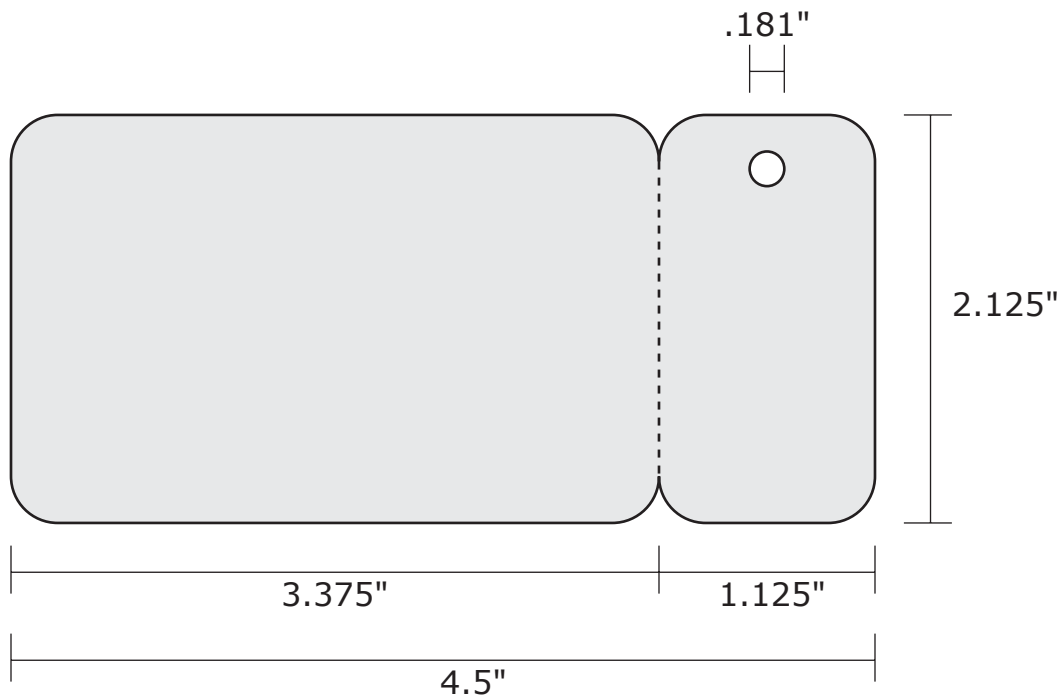


Added 03-03-07

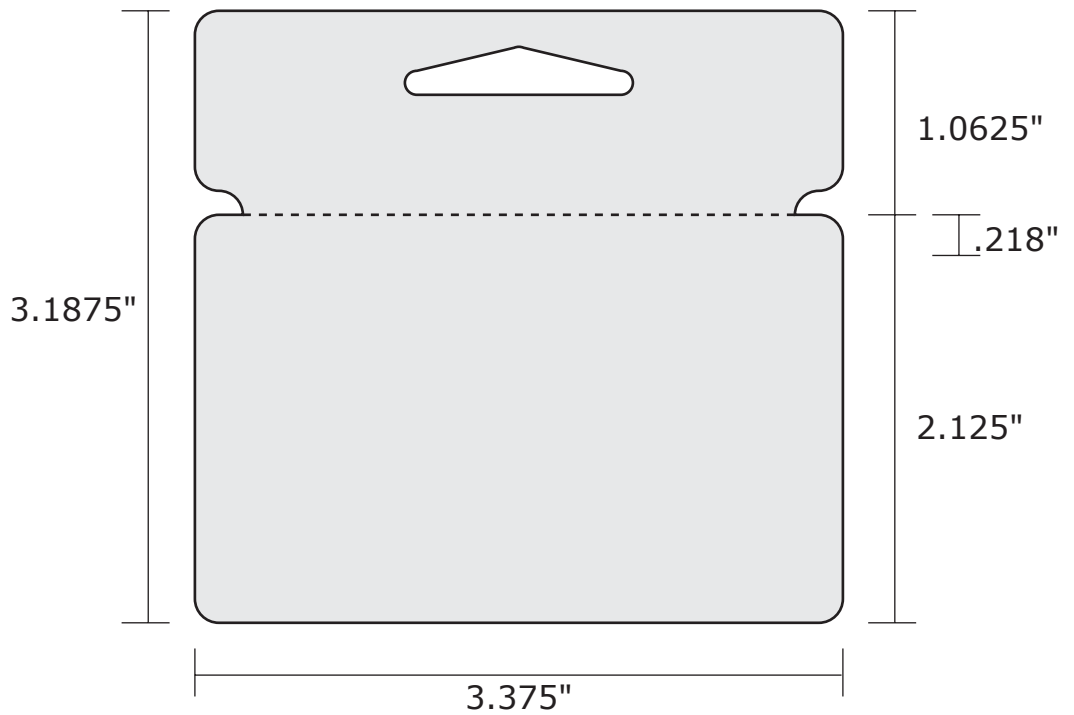
PS1001 CR80 3-up keytag



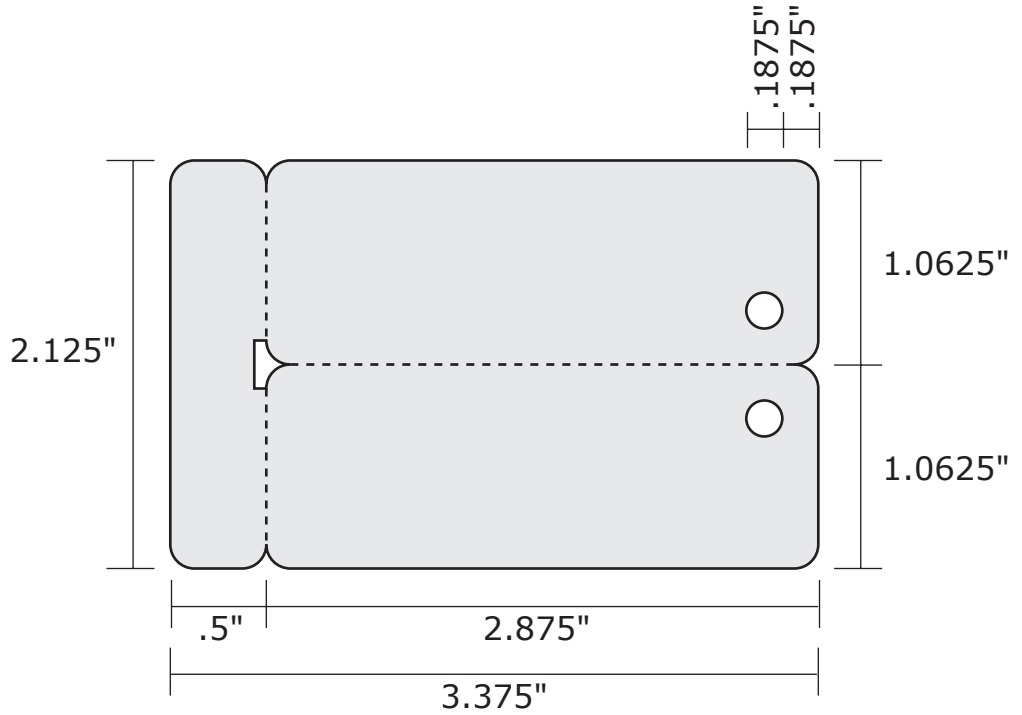
PS1002 CR80 with 1-up keytag



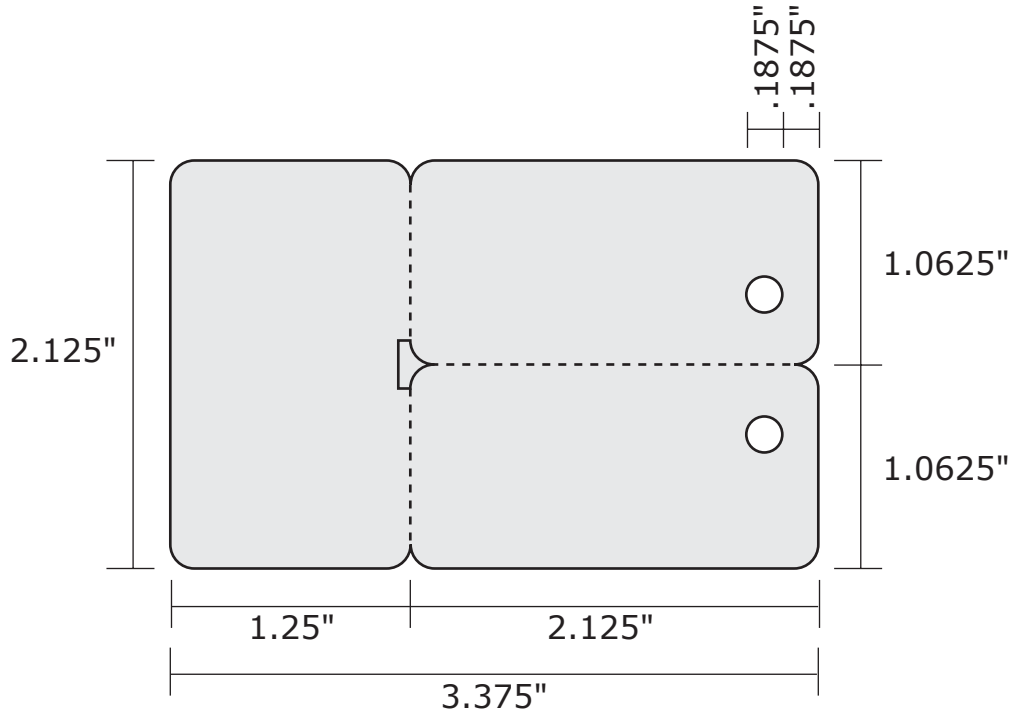
PS1003 CR80 with slotted top tab



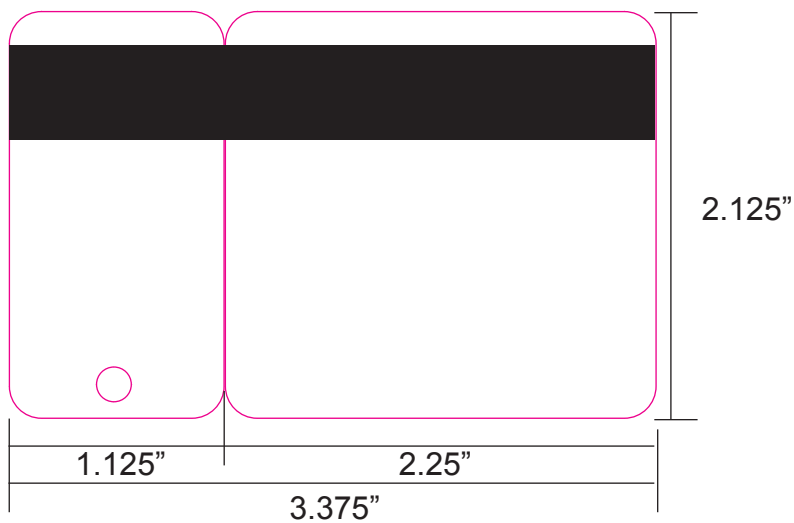
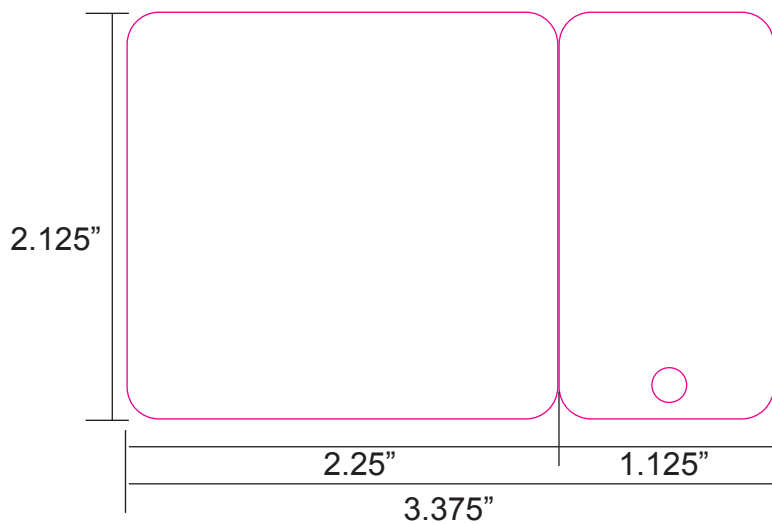
PS1012 CR80 2-up keytag



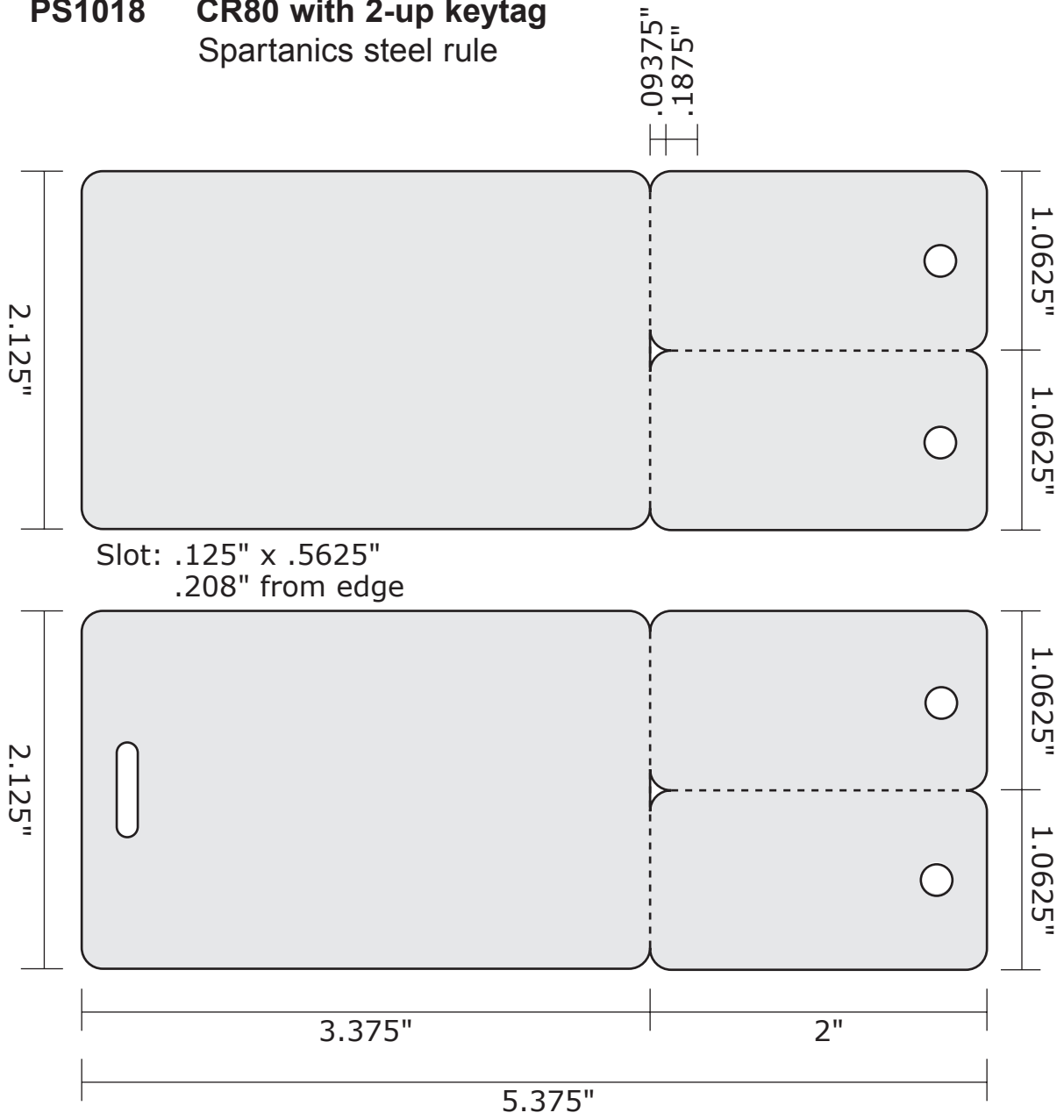
PS1012S CR80 2-up keytag



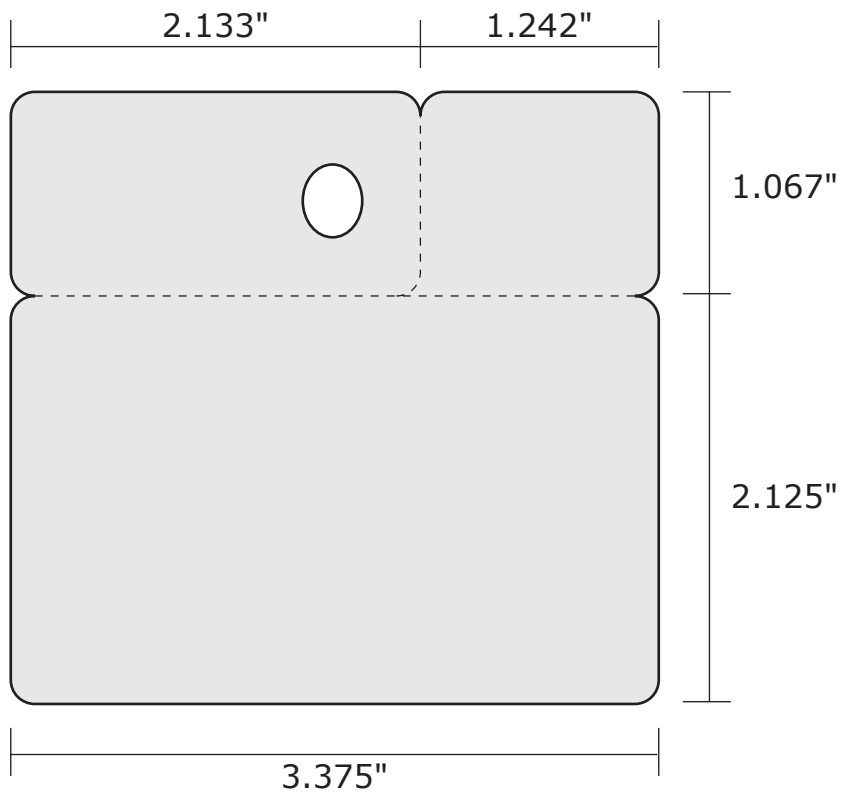
PS1051 Mag stripe on key tag will not work.



PS1018 CR80 with 2-up keytag
Spartanics steel rule



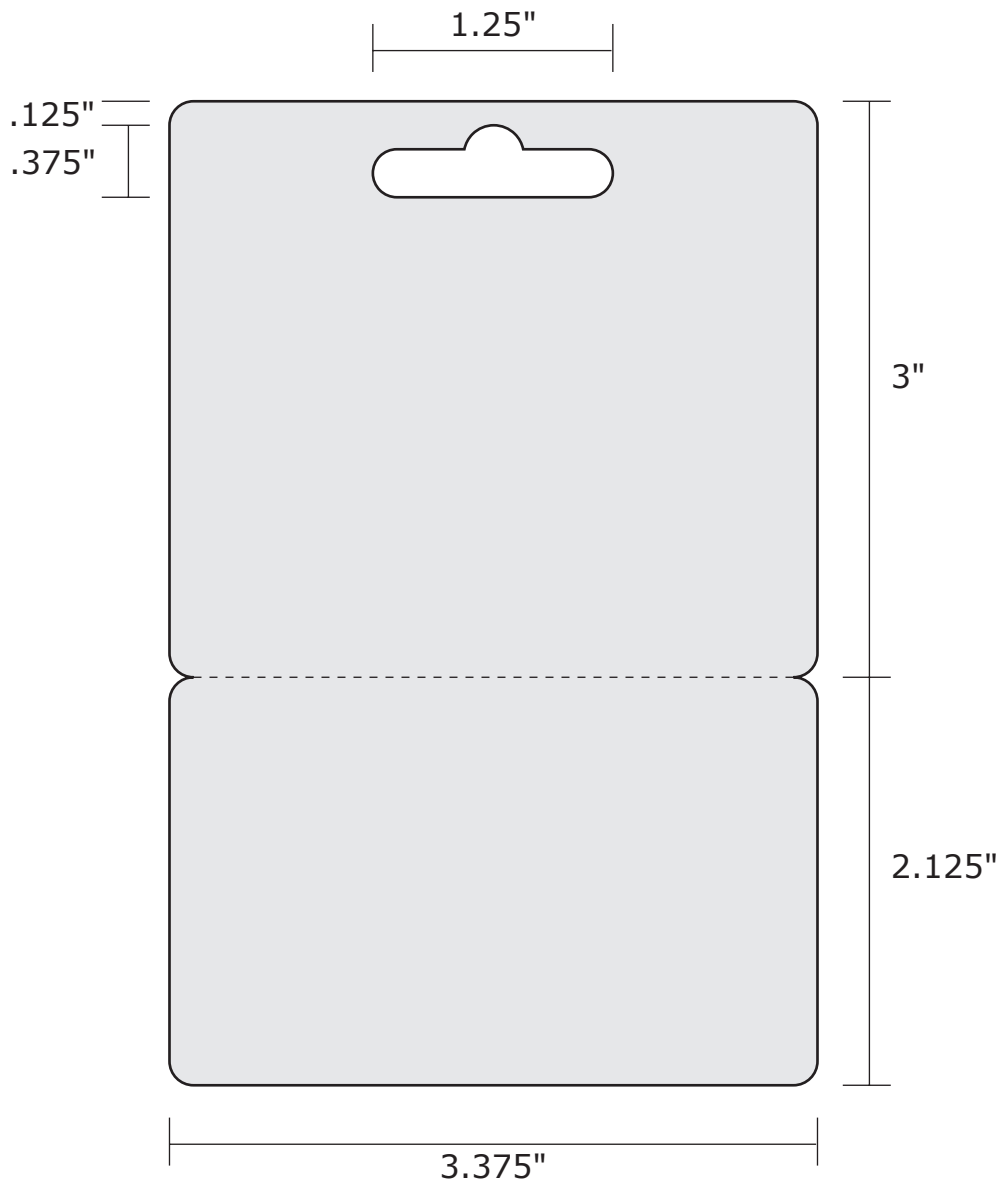
PS1038 CR80 with long punch tab and short tab



.31" x .379" hole punch

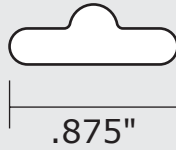


PS1044 CR80 with 3" Hanger



PS1045 CR80 with 4.375" Hanger
Spartanics Steel Rule Die

.125"
.3125"



4.375"

2.125"

3.375"

Added 03-03-07



PS1048 TR80 (CR80-size card with larger round corners)



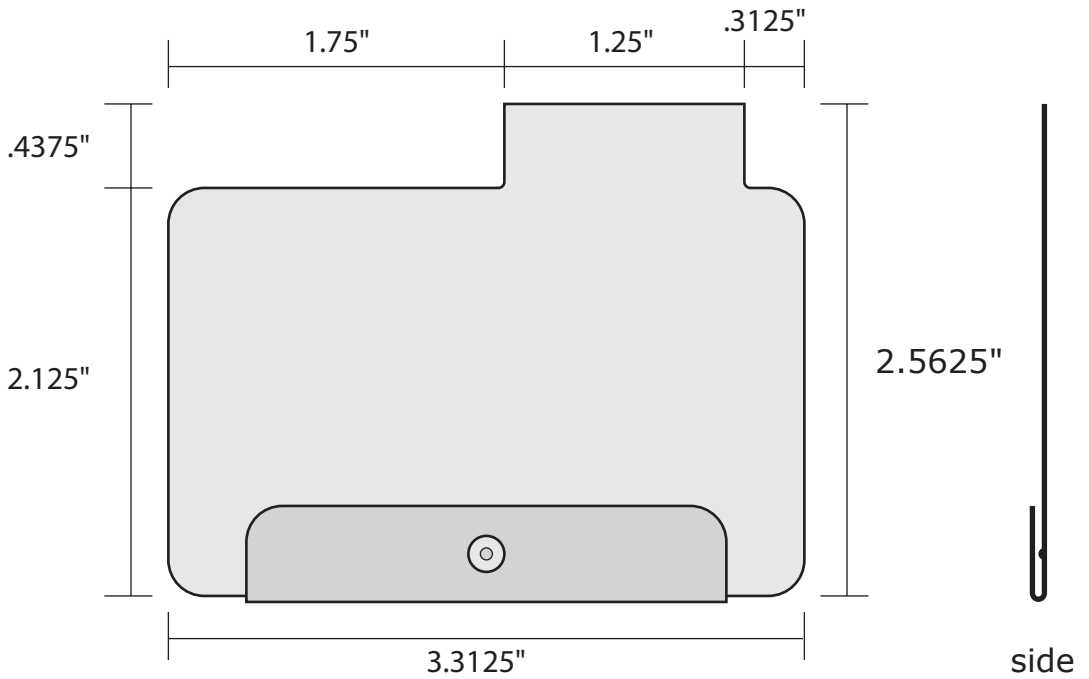
3.375" x 2.125" card size
.375" round corner.



PS1049

Room Jacket CR80-size card

Design features a forward folded clip



PS1013 CR100 w/slot (Military size)



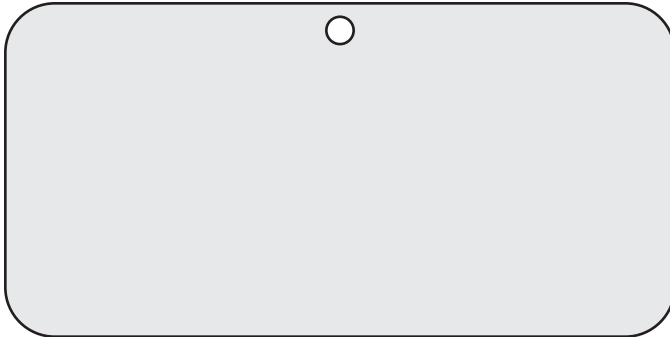
3.865" x 2.615" card size.
.125" round corner.

9/16" x 5/32" slot size (short side).
1/8" from card edge to slot.



PS1014S PC50 Spartanics
PS1014P PC50 PMC die

Shown with 'Hospital Hole' punch



3.5" x 1.75" card size.
.25" round corner
.156" hole punch [0.070" from card edge]



PS1015 CR60 (IBM size)
PMC die



3.25" x 2.34" card size.
.125" round corner.



PS1016

CR70

PMC die



2.875" x 2.125" card size.
.125" round corner.



Added 03-03-07

PS1017

CR90

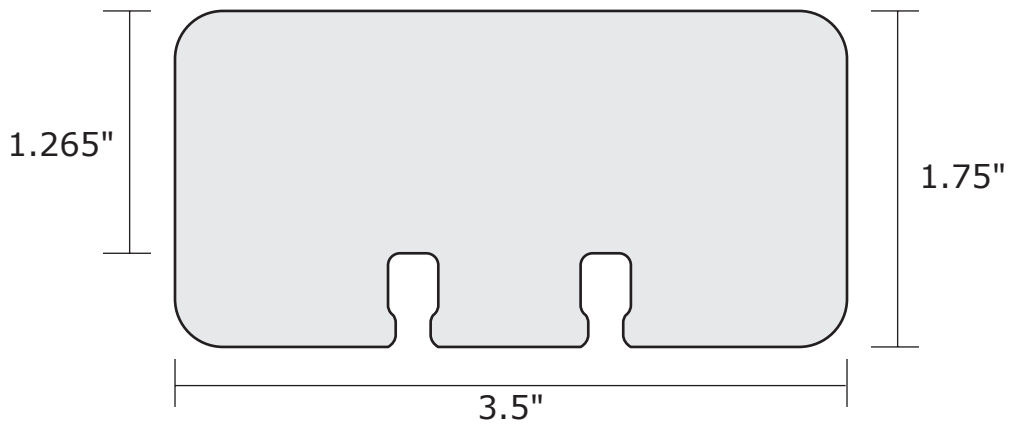
PMC die



3.625" x 2.375" card size.
.125" round corner.



PS1019 CR50 Roladex



PS1030

CR79

Portrait slot

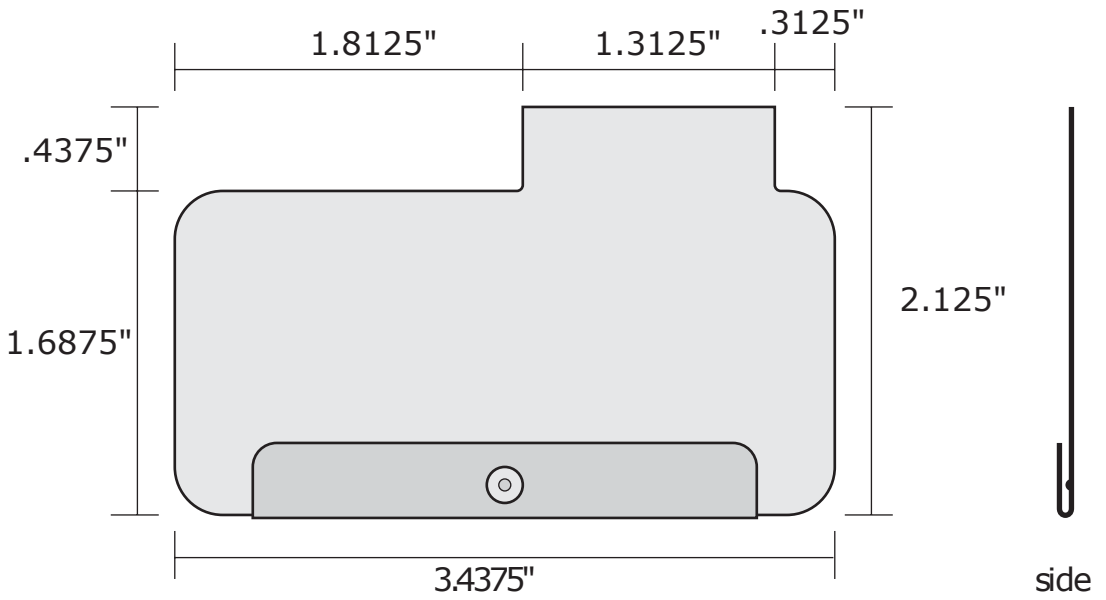


3.303" x 2.051" card size
.125" round corner.

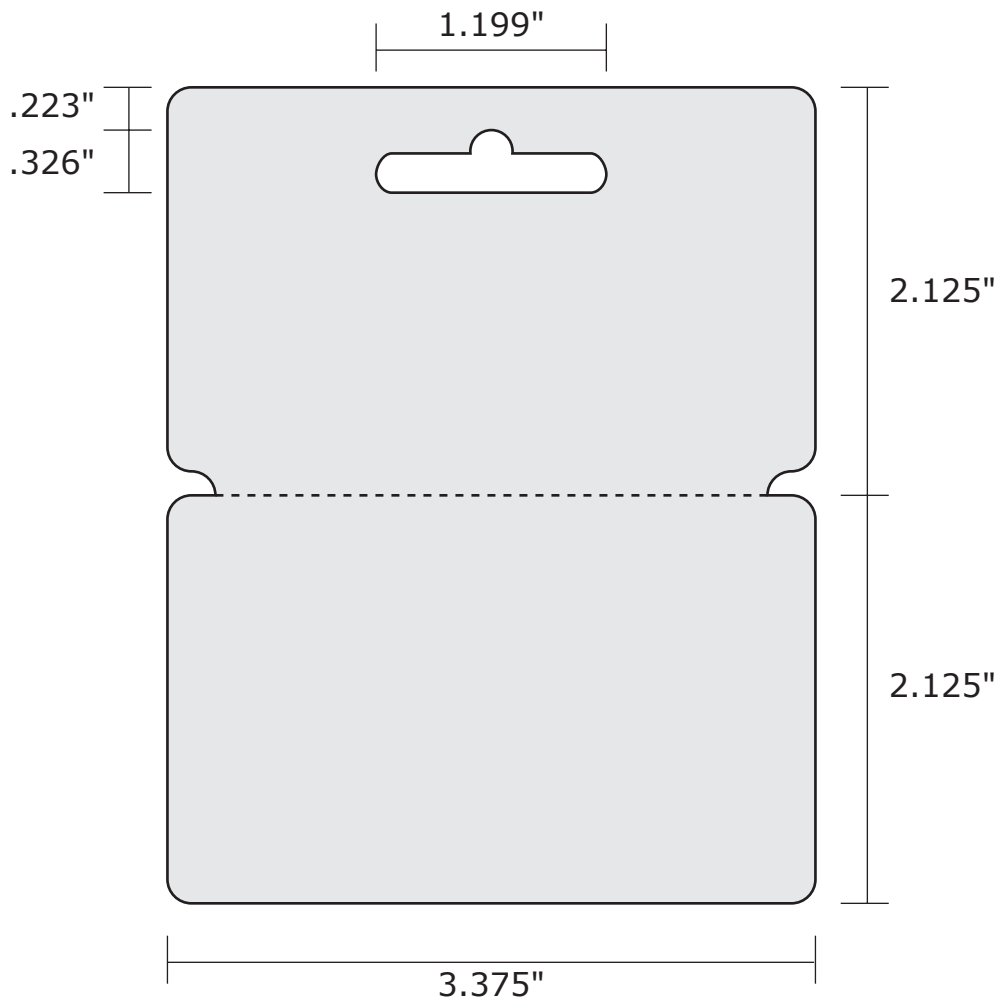


Added 03-03-07

PS1050 Room Jacket CR50-size card
Design features a forward folded clip

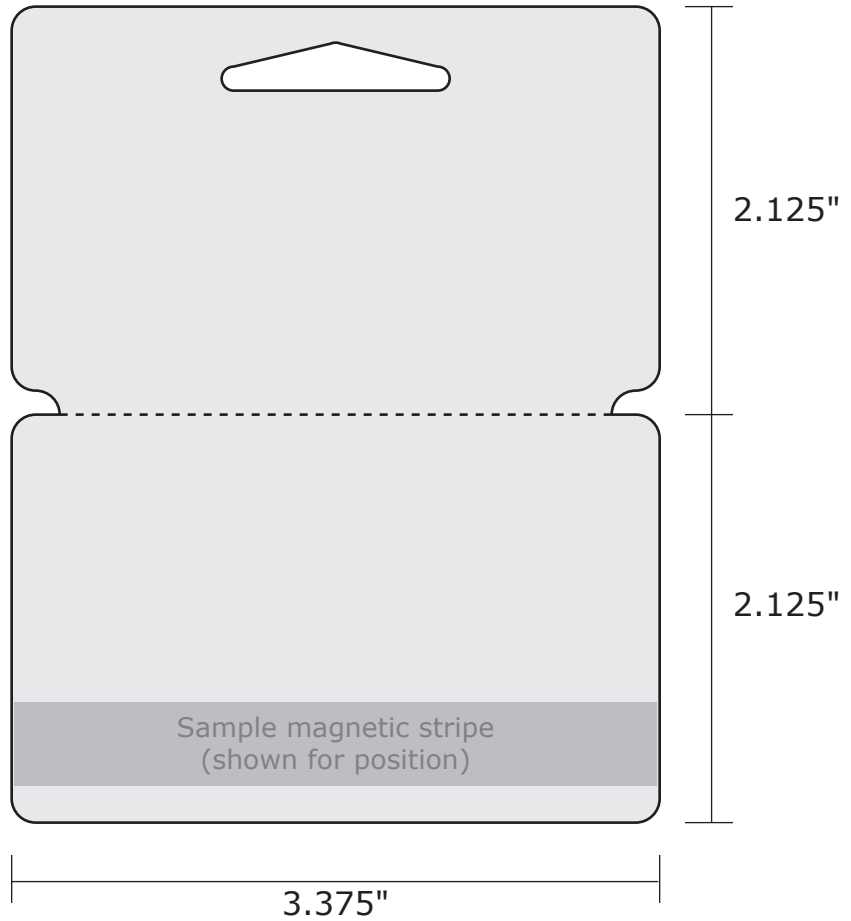


PS1006Double CR80 with long sombrero slot



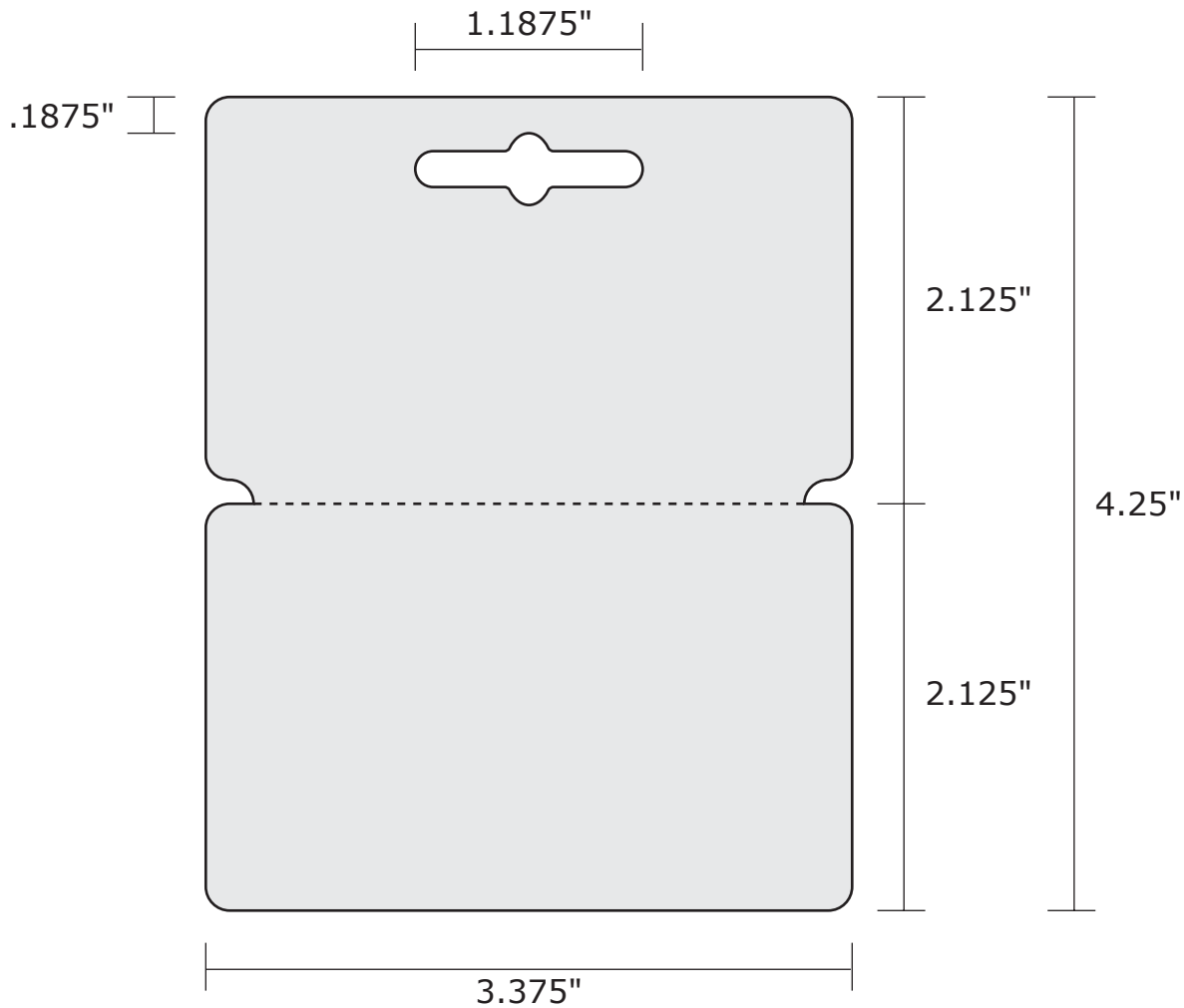
PS1007

CR80 with tent slot

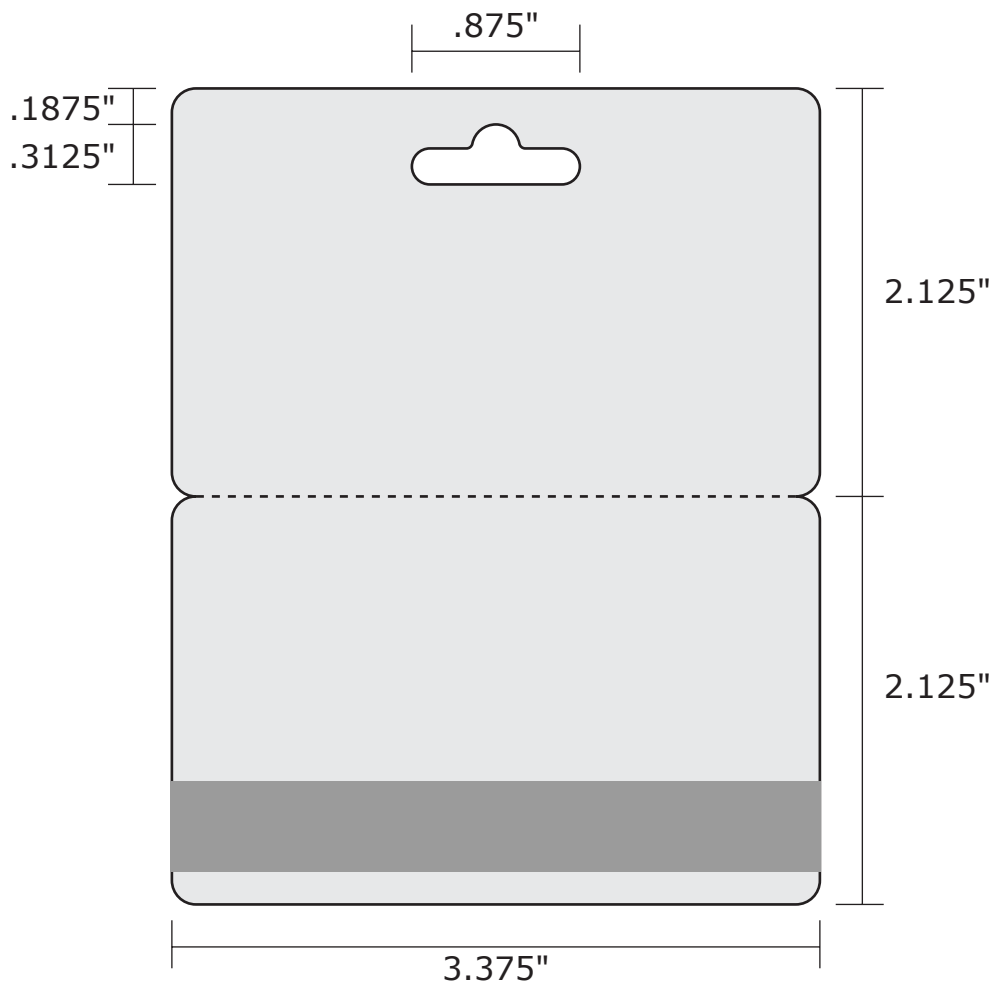


Added 03-03-07

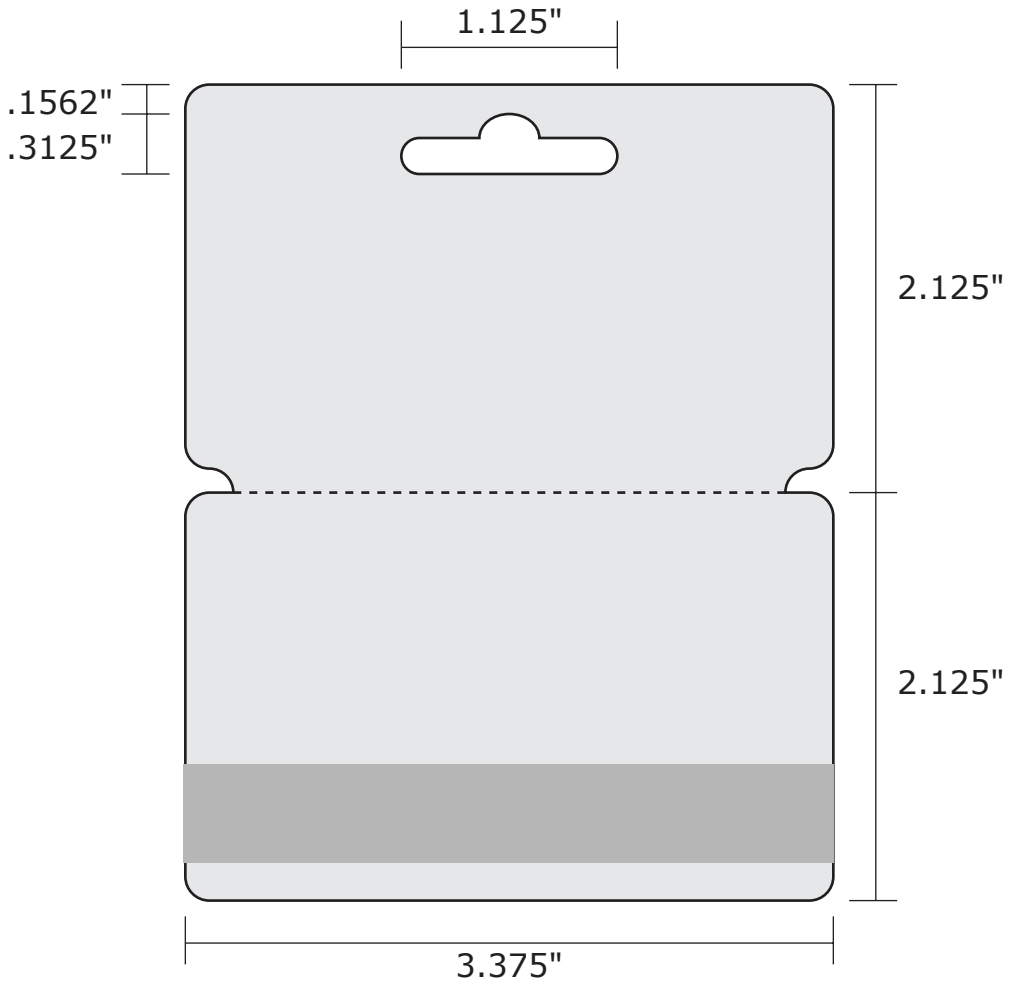
PS1008 Double CR80 with keyhole slot



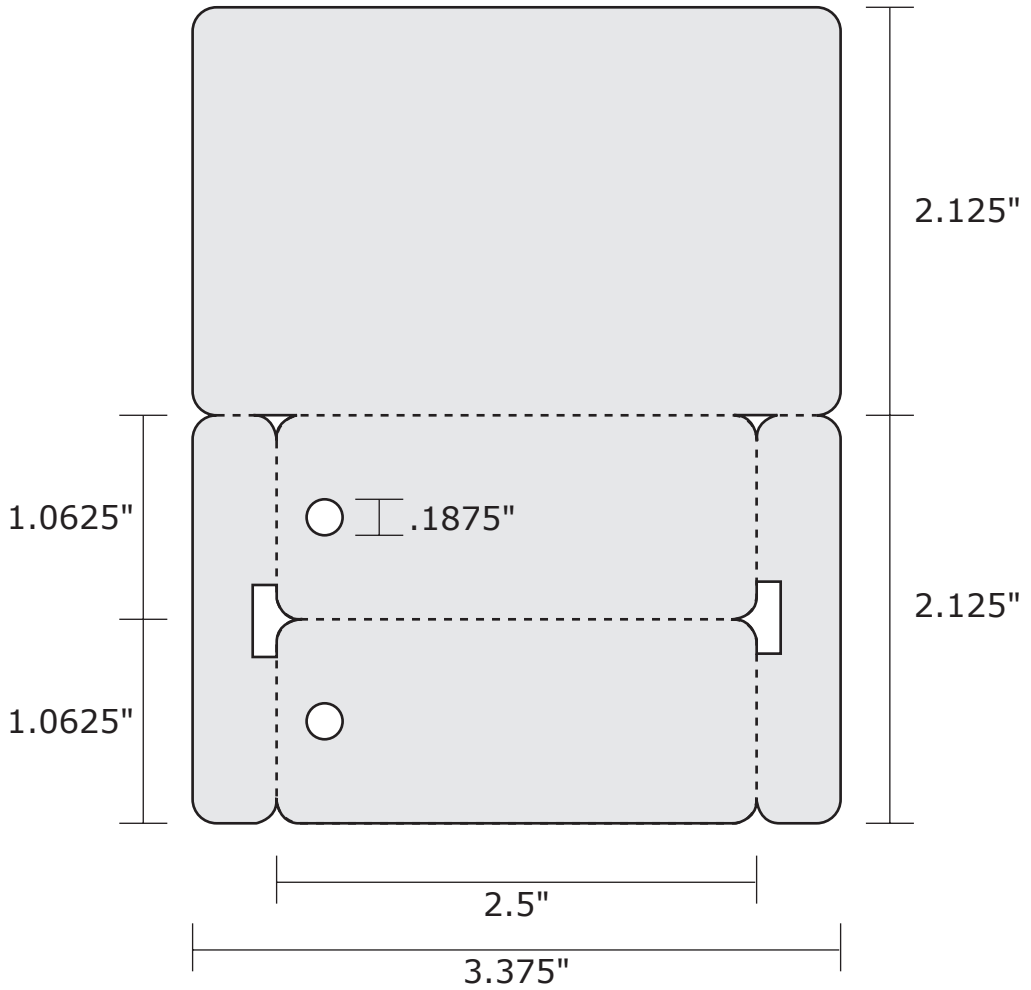
PS1010S CR80 (shown with sombrero slot)



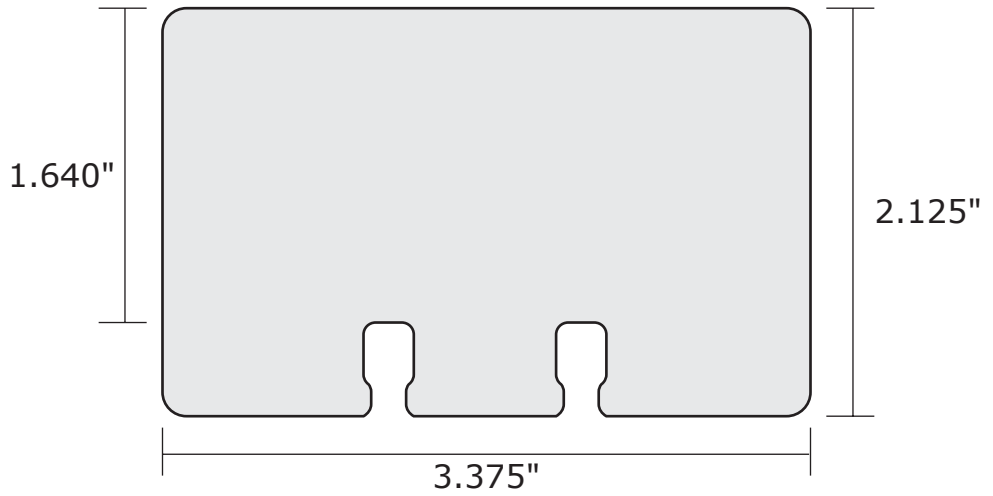
PS1027 CR80 with sombrero slot



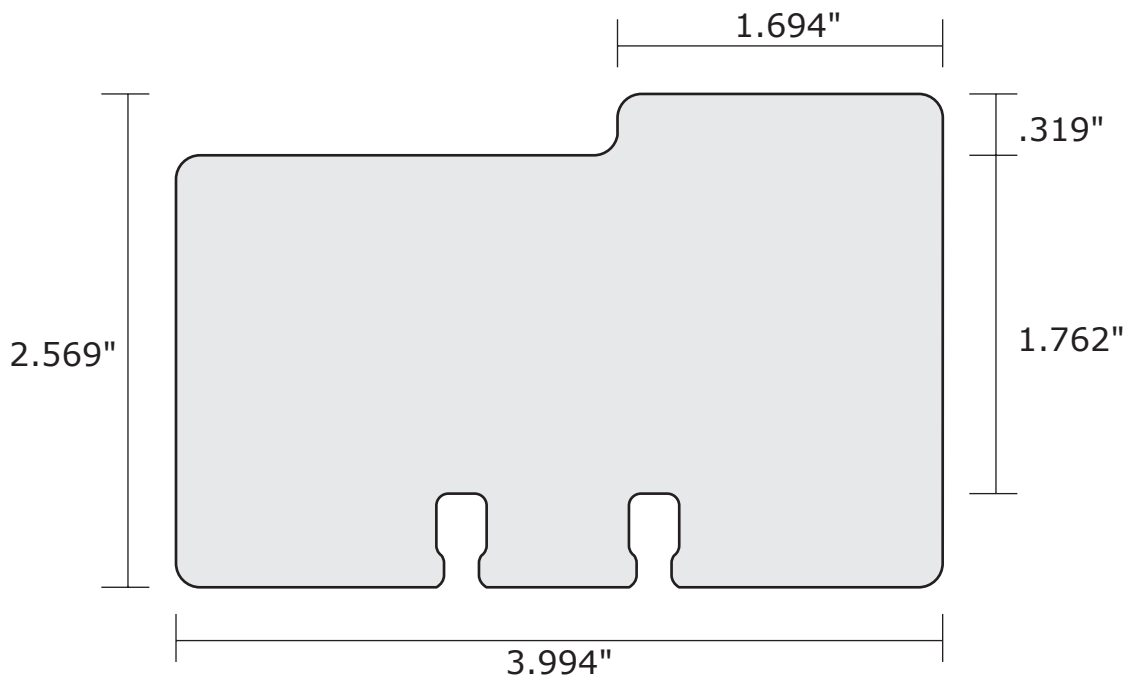
PS1037 CR80 w/ 2-up keytag centered



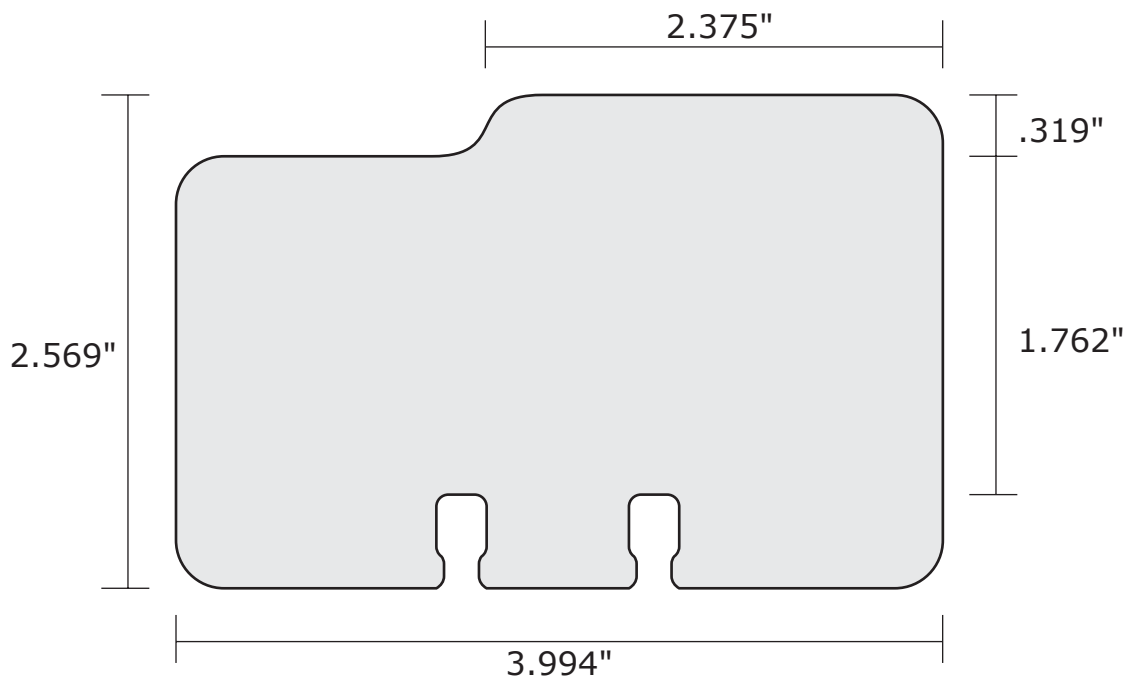
PS1020 CR80 Roladex



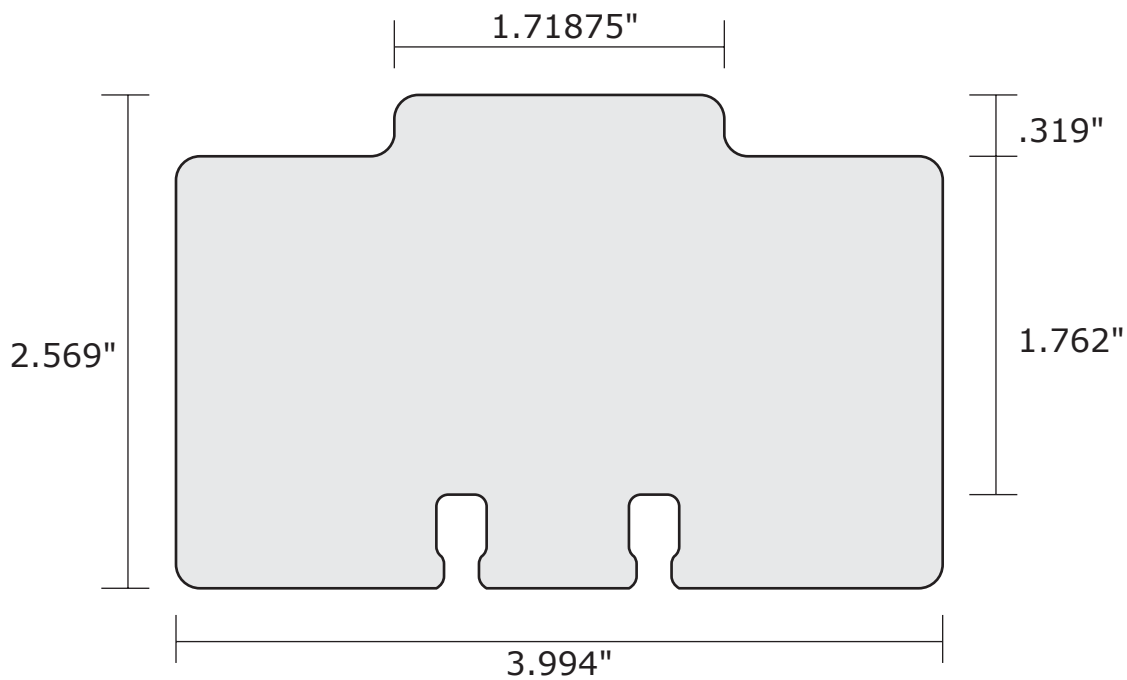
PS1021 Roll-a-vue



PS1024 Roll-a-vue wide tab



PS1025 Roll-a-vue



PC1001 85x44mm 3.35 x 1.73inch



85x44mm (3.35 x 1.73inch) card size
2mm (0.079inch) round corner.



PC1002 60x40mm (2.36 x 1.58inch)



60x40mm (2.36 x 1.58inch) card size
2mm(0.079inch) round corner.



PC1003 80x45mm (3.15 x 1.77 inch)



80x45mm (3.15 x 1.77inch) card size
2mm (0.079inch) round corner.



PC1004 110x60mm (4.33 x 2.36inch)



110x60mm (4.33 x 2.36inch) card size
2mm (0.079inch) round corner.



PC1005 90x60mm (3.54 x 2.36inch)



90x60mm (3.54 x 2.36inch) card size
2mm (0.079inch) round corner.



PC1006 65x40mm (2.56 x 1.58inch)



65x40mm (2.56 x 1.58inch) card size
2mm (0.079inch) round corner.



PC1007 90x50mm (3.54 x 1.97inch)



90x50mm (3.54 x 1.97inch) card size
2mm (0.079inch) round corner.



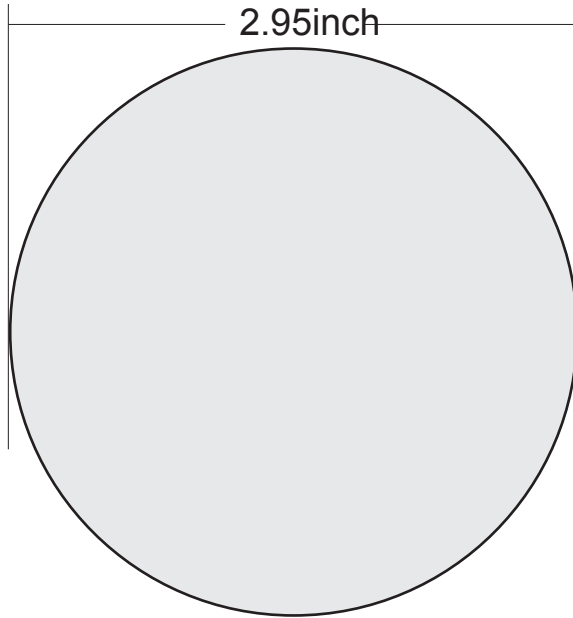
PC1008 104x58mm (4.09 x 2.28inch)



104x58mm (4.09 x 2.28inch) card size
2mm 0.079inch) round corner.



PC1009 75x75mm (2.95inch)



75x75mm (2.95inch) card size

.



PC1011 76x48mm



76x48mm card size
2mm round corner.



PC1012 87x64mm (3.43 x 2.52inch)



87x64mm (3.43 x 2.52inch) card size
2mm (0.079inch) round corner.



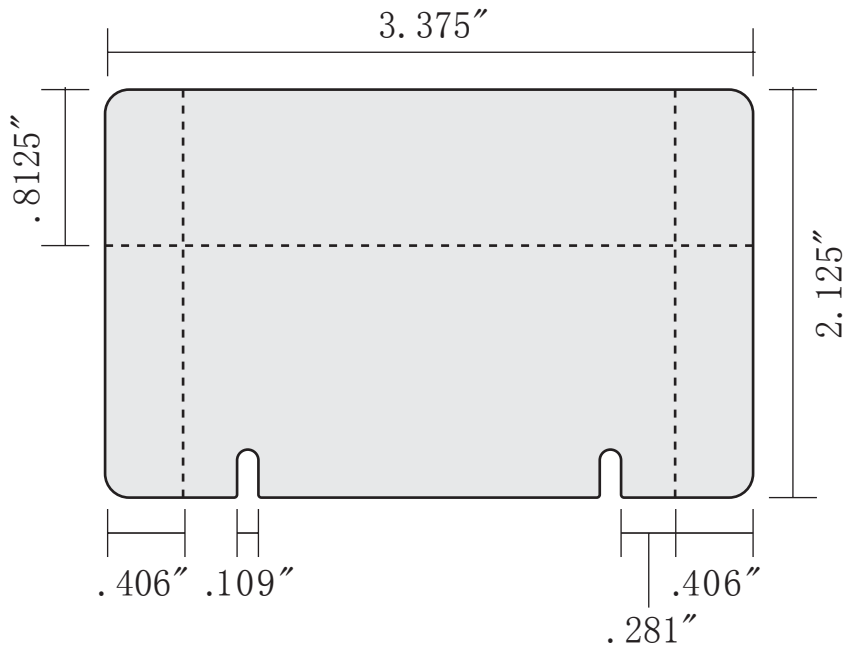
PC1013 60x25mm



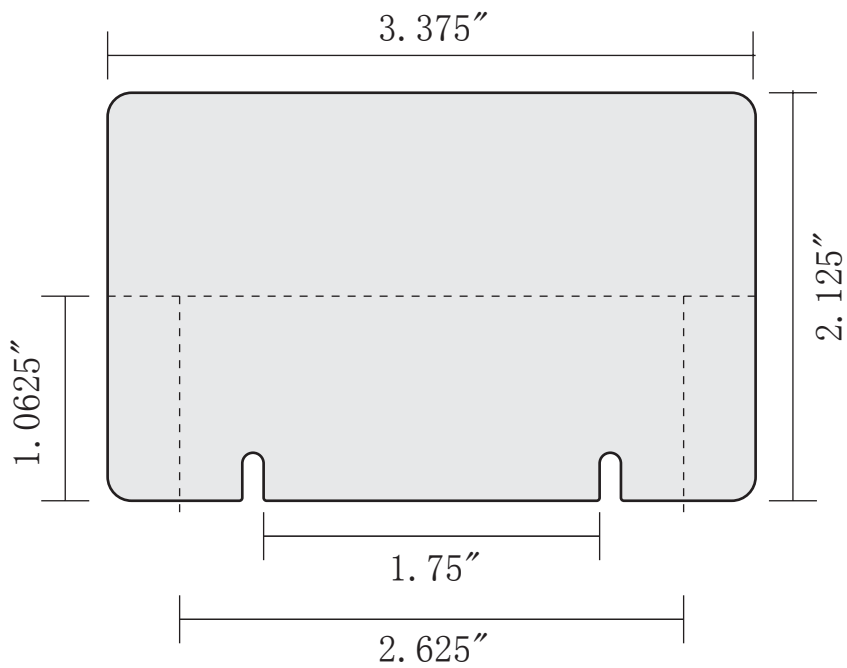
60x25mm card size
2mm round corner.



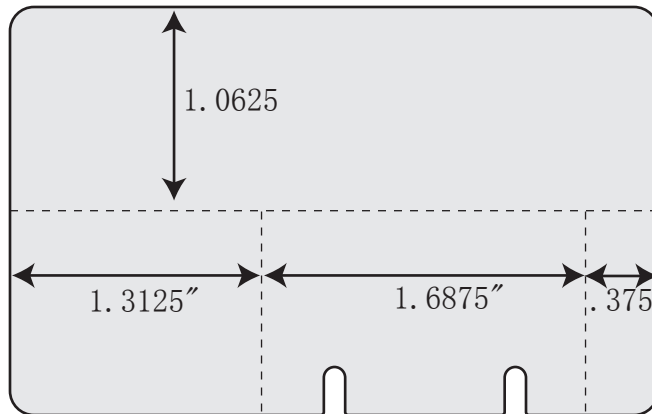
PS1028 Break-Away Plate



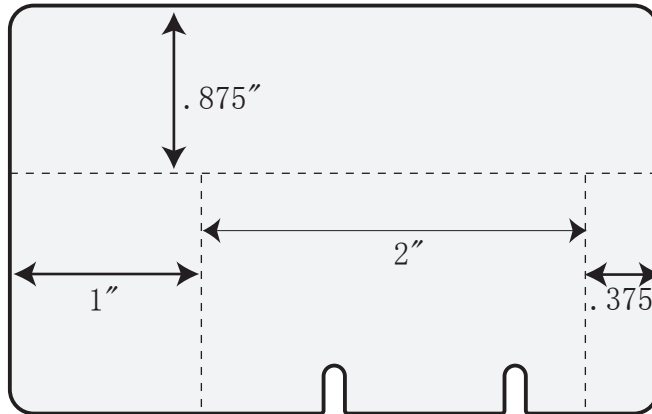
PS1029 Break-Away Plate



PS1031 Break-Away Plate



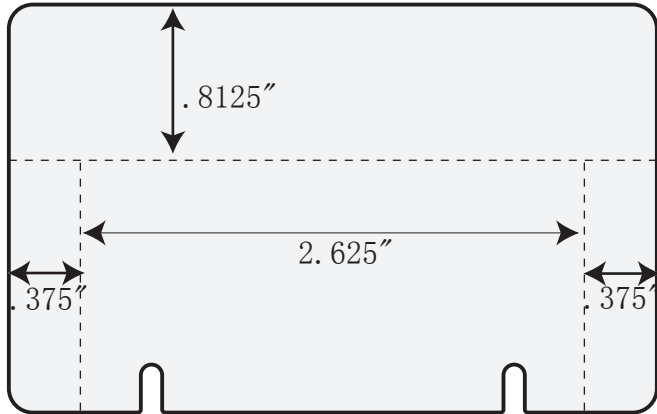
PS1032 Break-Away Plate



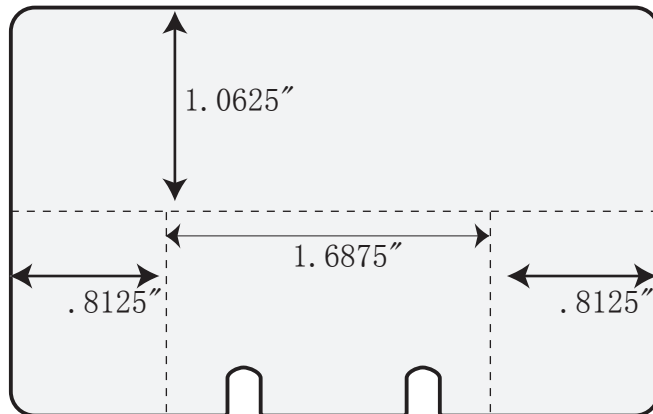
PS1033

Break-Away Plate

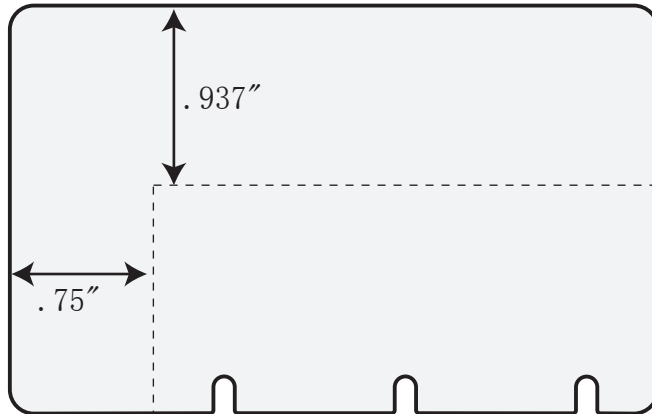
Item 702542 / Template 155 / AP1025



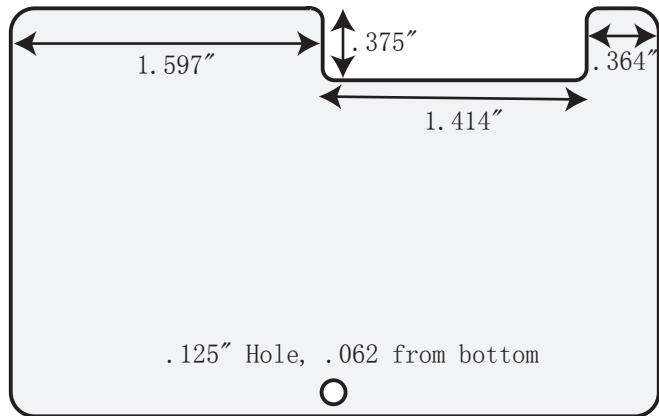
PS1034 Break-Away Plate



PS1035 Break-Away Plate



PS1036 Break-Away Plate



PS1040 Break-Away Plate

